

(Preliminary Data)

# MOBL 4500

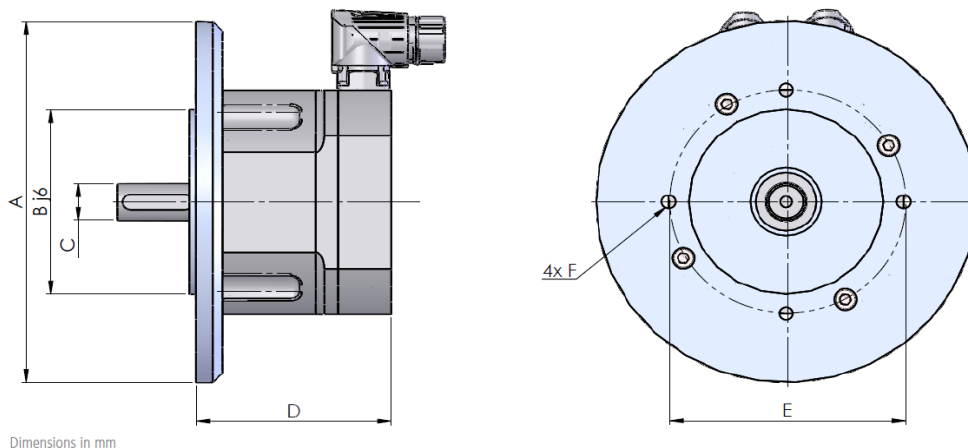
Brushless servo motor with 8-pole winding, fitted with 2-pole resolver



## Technical Data

Description	Symbol	Unit	MOBL 4500
Stall torque	M0	Nm	15
Max. voltage	U <sub>max</sub>	V	560
Stall current	I0	A	9.4
Nominal current	I <sub>N</sub>	A	7.5
Nominal torque	M <sub>N</sub>	Nm	12
Nominal power	P <sub>N</sub>	W	5000
Nominal speed	N <sub>N</sub>	min-1	3000
Max. speed	N <sub>max</sub>	min-1	4000
Peak current	I <sub>max</sub>	A	27
Voltage constant	KE	V/Krpm	80 (tbc)
Torque constant	KT	Nm/A	1.6
Rotor inertia	J <sub>R</sub>	Kg/cm	27
Winding resistance at 20°C	RU-V	Ohm	
Winding inductance at 1 kHz	LU-V	mH	
Weight	m	kg	17

## Dimensions



A	B	C	D	E	F
271 (motor □190)	180	28	183	215	M12