

Servo motors – ACM2n series AC brushless

The ACM2n range offers a great price/performance ratio, but remains flexible for specific customer demands.

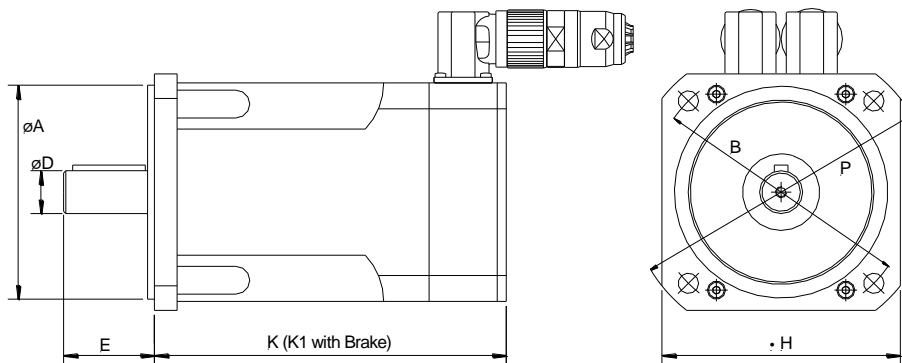
A wide variety of options are available to suit virtually any application.

The magnetic material used in the ACM2n motors is Neodymium Iron Boron, allowing the motors to be run at up to four times rated current.

The standard models are 6 pole motors with a 2 pole resolver, keyed shaft and 320V or 560V windings.



For a full set of information, please [request a copy of the ACM2n motor catalogue](#).



Technical Data

Dimensions (in mm)

Type	Ref.	Stall / Nom Torque Mo / Mn Nm	Nominal Speed nN RPM	Stall Current 320V A	Stall Current 560V A	Inertia J kgcm ²	A	B	D	E	H	K _(c1)	K1 _(c1)	P
ACM2n-Y	0012	0.16 / 0.12	6000	0.44	NA	0.05	30	46	6	20	40	130	NA	54
ACM2n-0	0010	0.13 / 0.1	4000	0.25	NA	0.05	40	63	9	24	55	98	131	74
	0030	0.3 / 0.3		0.9	NA	0.1						123	156	
	0045	0.5 / 0.45		1.2	0.65	0.15						143	176	
	0070	0.8 / 0.7		1.6	0.9	0.2						163	196	
	0130	1.5 / 1.3		3.3	1.65	0.33						234	NA ^(c2)	
ACM2n-1	0055	0.8 / 0.55	4000	2.1	1.2	0.3	80	100	14	30	88	112	153	115
	0090	1.5 / 0.9		3.0	1.8	0.68						132	173	
	0150	2.5 / 1.5		5.0	2.7	1.0						152	193	
	0220	3 / 2.2		6.4	3.8	1.4						172	213	
	0290	4 / 2.9		8.3	4.2	1.8						202	249	
ACM2n-2	0320	4 / 3.2	4000	8.2	4.5	2.4	95	115	19	40	105	178	218	134
	0480	7 / 4.8		14.3	7.2	3.2						208	248	
	0650	9 / 6.5		18.3	9.2	3.6						228	268	
	0830	11 / 8.3		NA	12.3	4.5						273	313	
	0960	16 / 9.3		4000 ₁	NA	18.4						6.15	130	
1200	21 / 12	28.0	7.7		300	343								
2000	34 / 20	33.0	12.5		420	463								

NOTE:
 c1 - Motor length indicated above is for motors fitted with a resolver. Length may vary for other options.
 c2 - Motor is not available with a holding brake.

The above is sample information on the product range. Please contact us for a full brochure . . .